

232-MP

- RS232 to MP-Bus interface Module
- 1 RS232 interface connection
- 1 MP-Bus interface connection
- TX, RX, 24V LED-Indication
- Connection with pluggable spring-loaded terminals
- Development, production and sales by Walter Müller AG



Application

MP-Bus master units with RS232 interfaces (e.g. PC's) which have the MP protocol implemented, but have no MP signal level matching of their own, can be connected to an MP-Bus system through a 232-MP module.

Technical specifications

Connections

- Power supply 24V, RS232 Push-in spring-loaded terminals, 5-pole
- MP-Bus Push-in spring-loaded terminals, 3-pole

Communication

Art Serial control with bus system
Bus MP-Bus, RS232

Indications

24V The "24V" LED lights up when the module is powered up.
TX This LED indicates that data is flowing from the Interface module to the MP-Bus participant
RX This LED indicates that data is flowing from the MP-Bus subscriber interface module (flickering, flashing or steady light in time with the LED "Tx", if no MP-Bus participant answers.

Power supply

Power supply AC24 V 50/60 Hz, DC 24 V
Functional range AC 19,2...28,8 V, DC 21,6...28,8 V
For wire sizing 2 VA (without actuators connected)
Power consumption 1 W

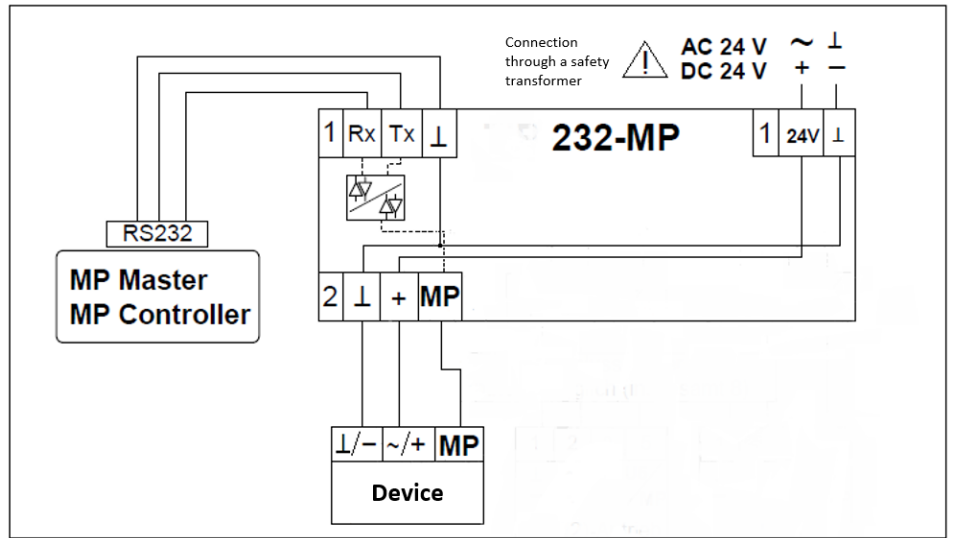
General data

Protection class III (safety extra low voltage)
Degree of protection IP 20
EMC EN 50081-1, EN 50082-1, EN 50082-2
Maintenance maintenance free

Ambient temp. range. 0 °C...+50 °C
Non-operating temp. -40 °C...+80 °C
Operating humidity <95%RH, not condensing

El. Connections Pluggable spring-loaded terminal for 2,5mm²
Casing DIN rail housing 3M according to DIN 43880
Mounting Installation on mounting rails according to DIN 35mm
Dimensions length x width x height = 37 x 90 x 58 mm
Weight 100g

Device picture

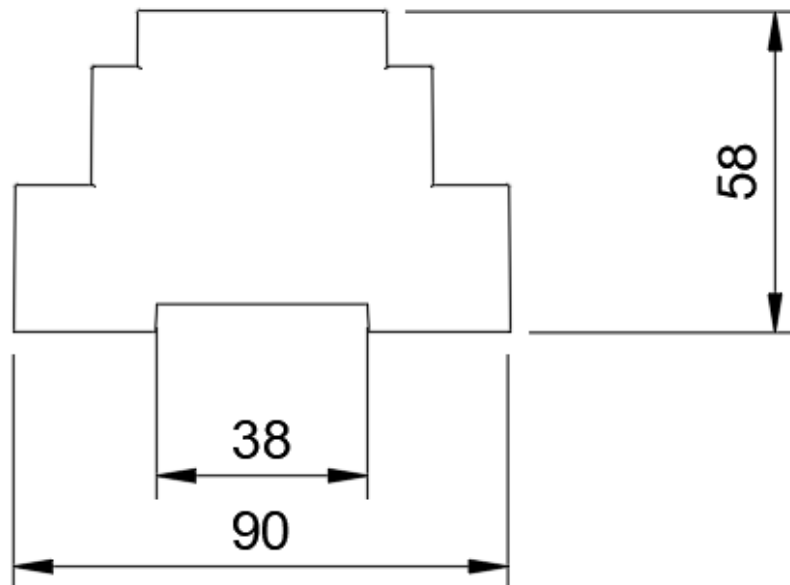
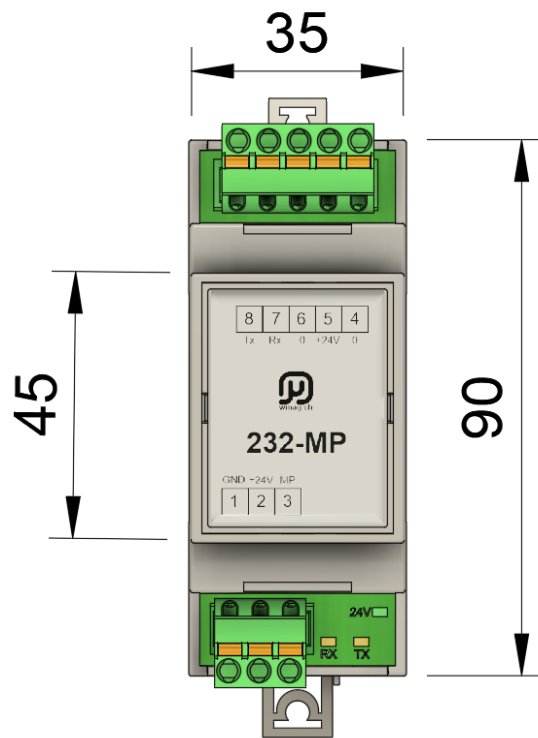


Device: Parallel connection of further devices possible (**8 in total**)

Connection description

Clamp	Designator	Function	Description
1	0	Output	GND
2	+24V	Output	Output +24V DC/AC
3	MP	IO	MP-Bus
4	0	Input	Input GND
5	+24V	Input	Input +24V DC/AC
6	0	Input	Input GND
7	Rx	Output	RS232 Receive data (data from the MP bus to the PC)
8	Tx	Input	RS232 Send data (data from the PC to the MP bus)

Dimensions (mm)



Ordering Information

232-MP Module Art.-Nr. 120 060 100

Manufacturing and distribution:

Walter Müller AG
Russikerstrasse 37
CH - 8320 Fehraltorf
+41 44 956 26 26
www.wmag.ch
info@wmag.ch